

# 70mai Dash Cam 4K A810 Lite Series User Manual



Scan and email us at:  
[help@70mai.com](mailto:help@70mai.com)



Scan to view product  
functions and FAQs.

70mai

## Contents

This user manual has also been translated into other languages. Scan the QR code to read the user manual with all supported languages.



English .....	1
Español .....	9
Deutsch .....	16
Français .....	23
Italiano .....	30
Русский .....	37
Português .....	44
Polski .....	51
Український .....	58
Română .....	65
日本語 .....	72
Tiếng Việt .....	78
ภาษาไทย .....	84
Bahasa Indonesia .....	90
繁體中文 .....	96
Türkçe .....	103
عربي .....	110

Read this manual carefully before use and keep it for future reference.

## Memory Card Instructions

---

- A memory card (sold separately) must be installed in the dash cam before use.
- The dash cam supports standard MicroSD cards. Please use memory cards with capacity of 32GB–512GB and rating of U3 (UHS-3) or above.
- The default file partition format of the memory card may be inconsistent with the format supported by the dash cam. When inserting the memory card for the first time, please format it in the dash cam before use. Formatting the memory card will delete all files on the card. Please back up important data to another device beforehand.
- The memory card may become damaged or deteriorated after repeated cycles of overwriting, and this may affect its ability to save video and image files. If this occurs, immediately replace it with a new memory card.
- Please use a high-quality memory card purchased from a reputable vendor. Inferior memory cards may have issues such as the actual reading/writing speeds do not match the stated speeds, and the actual storage capacity does not match the stated storage capacity.
- We shall not be held liable for lost or damaged videos caused by the use of a low-quality memory card.
- Do not insert or remove a memory card while the dash cam is turned on.

## Battery Safety

---

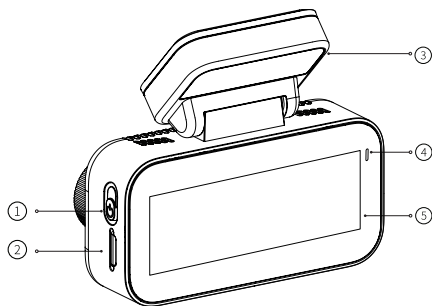
- This device contains a coin battery(lithium metal battery). **DO NOT** disassemble, smash, or subject the product to excessive heat, as this could result in explosion.
- The battery is non removable. **DO NOT** attempt to replace or repair it. If replacement is required, **ONLY** have it replaced by a professional with the same model.
- Do not use the product in extreme weathers. Temperatures that are too low or too high may cause the battery to explode or give off flammable gas or liquid.
- Dispose of the cam following all local and national regulations on electronic waste disposal.
- This device is not a toy. Some of its small components may pose risk of suffocation to children. Keep it out of the reach of children.

## Precautions

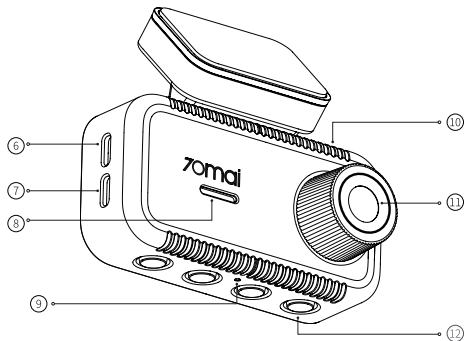
---

- Before using this dash cam, please read all the precautions and the online guide to ensure correct and safe use.
- This dash cam is intended to assist drivers with the purpose of recording the environment outside the vehicle. The dash cam does not guarantee the user's driving safety. We shall not be held liable for any accident, damage, or loss of information caused by operating the dash cam while driving.
- Due to differences in vehicle conditions, driving style, driving environment, etc., some functions may not work properly. A power failure, usage in environments outside the normal operating temperature or humidity range, a collision, or a damaged memory card may cause the dash cam to function abnormally. There is no guarantee that this dash cam will function normally under all circumstances. Videos recorded by this dash cam are for reference only.
- Please install this dash cam correctly, and do not block the driver's line of sight, nor block the vehicle's airbag, in order to avoid product failure or personal injury.
- Please use the included car charger, power cord, and other accessories in order to avoid product failure due to non-conformance. We shall not be held liable for any loss or damage caused by the use of a non-genuine car charger or power cord. If the battery becomes deformed, swollen, or starts leaking during use or storage, stop using the dash cam immediately in order to avoid safety issues, and contact after-sales service.
- Please keep this dash cam away from any strong magnetic fields, as they may cause damage to the dash cam.
- Do not use this dash cam in environments with temperatures over 60°C or below -10°C.
- Please only use this dash cam within the scope permitted by law.

## Product Overview



- ① Power button
- ② Memory card slot
- ③ Mount bracket
- ④ Indicator



- ⑤ Display screen
- ⑥ Rear camera port (AV/IN)
- ⑦ Power port (DC/IN)
- ⑧ Speaker
- ⑨ Microphone
- ⑩ Vents
- ⑪ Lens
- ⑫ Function buttons

Note: Illustrations of the product, accessories, and user interface in the user manual are for reference purposes only. The actual product and functions may vary due to product enhancements.

## Package Contents

---

If you purchased the dash cam set, check if you have the following items in the package:

- Dash cam × 1
- Power cord × 1
- Car charger × 1
- Electrostatic sticker × 2
- Adhesive sticker × 1
- Adhesive cable clips × 5
- Wiring trim tool × 1
- User manual × 1
- Rear camera package\* × 1

\* This package contains the rear camera, connection cable and other accessories for the rear camera. For more information, please refer to the rear camera user manual.

If you purchased the dash cam only, check if you have the following items in the package:

- Dash Cam × 1
- Power cord × 1
- Car charger × 1
- Electrostatic sticker × 2
- Adhesive sticker × 1
- Adhesive cable clips × 5
- Wiring trim tool × 1
- User manual × 1

## Installation

---

### 1. Attaching the electrostatic sticker

Paste the electrostatic sticker on the recommended area on the front windshield. Press the sticker to squeeze air bubbles out.



Notes:

- Avoid the edge of the windshield and select the flat and smooth area for the installation.
- Keep the windshield clean and dry without liquid residue to prevent the sticker from losing adhesion and dash cam from dropping.

### 2. Installing the mount

Align the mount to the slot on the bracket and slide it up.



### 3. Inserting the memory card

Insert the memory card into the memory card slot.



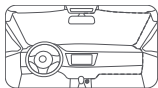
#### 4. Mounting the dash cam

Remove the release liner on the mount and paste the cam to the electrostatic sticker.



#### 5. Routing the cord

Route the power cord to the cigarette lighter socket and connect the cam to power.



Notes:

- Use the included wiring trim tool to hide the power cord underneath the vehicle's headliner and rubber seal along the A-pillar.
- Depending on the vehicle, the cigarette lighter socket may be located in a different position. The above figure is for reference only.

#### 6. Adjusting the camera angle

Turn on the cam and adjust the camera angle based on the preview screen.



## Connecting to the 70mai App

This product needs to be used in conjunction with the 70mai app. Follow the steps below to connect it to the app.

1. Scan the QR code to download and install the app. Or search for "70mai" in the app store to download and install it.



2. Open the app, tap "+" in the device page, find the corresponding dash cam type and tap the dash cam image.

3. Turn on the dash cam and enable the Wi-Fi hotspot. Follow the on-screen instructions to connect the dash cam's Wi-Fi hotspot in your phone's settings.

4. Once successfully connected, go back to the 70mai app. In the device page, connect the dash cam and enter the dash cam's homepage. You can view the live video and configure the dash cam settings.

Note: Android 7.0 & iOS 12.0 or above is required to connect to the dash cam's Wi-Fi hotspot with a mobile phone.

If you need more help when connecting the app, please scan the QR code below to view the tutorial video.



## Accessories

---

The rear recording function is only available with rear camera(s) installed. Scan the QR code for the user guide of the rear camera.

Note: To avoid device malfunction caused by incompatibility, it is recommended to use a rear camera from 70mai.



## Specifications

---

Product: Dash Cam

Model: A810LITE, A810LITE-RC21, A810LITE-RC21H

Input: 5V  $\overline{=}$  2A

Resolution: 3840 × 2160

Lens : FOV 140°, f/1.55

Power supply: Car cigarette lighter

Wireless connectivity: Wi-Fi IEEE 802.11a/b/g/n/ac/ax 2.4GHz & 5GHz Bluetooth 5.0

Wi-Fi operation frequency: 2400–2483.5 MHz & 5170–5250 MHz & 5735–5835 MHz

Wi-Fi maximum output:  $\leq$  20 dBm

Bluetooth operation frequency: 2400–2483.5 MHz

Bluetooth maximum output:  $\leq$  10 dBm

GPS operation frequency: L1 1575.42 MHz

GLONASS operation frequency: G1 1602 MHz

## Compliance Information

---

### WEEE Information



All products bearing this symbol are waste electrical and electronic equipment (WEEE as in directive 2012/19/EU) which should not be mixed with unsorted household waste. Instead, you should protect human health and the environment by handing over your waste equipment to a designated collection point for the recycling of waste electrical and electronic equipment, appointed by the government or local authorities. Correct disposal and recycling will help prevent potential negative consequences to the environment and human health. Please contact the installer or local authorities for more information about the location as well as terms and conditions of such collection points.

### EU Declaration of Conformity



The manufacturer hereby, declares that this equipment is in compliance with the applicable Directives and European Norms, and amendments. The full text of the EU declaration of conformity is available at: <https://help.70mai.asia/1193.html>



Hereby, 70mai Co.,Ltd. declares that the radio equipment types A810LITE, A810LITE-RC21, and A810LITE-RC21H are in compliance with Radio Equipment Regulations 2017. The full text of the UKCA declaration of conformity is available at: <https://help.70mai.asia/2145.html>

### FCC

#### 15.19 Labeling requirements.

This device complies with part 15 of the FCC Rules. Operation is subject to the following two conditions: (1) This device may not cause harmful interference, and (2) this device must accept any

interference received, including interference that may cause undesired operation.

#### 15.21 Information to user.

Any changes or modifications not expressly approved by the party responsible for compliance could void the user's authority to operate the equipment.

#### 15.105 Information to the user.

Note: This equipment has been tested and found to comply with the limits for a Class B digital device, pursuant to part 15 of the FCC Rules. These limits are designed to provide reasonable protection against harmful interference in a residential installation. This equipment generates uses and can radiate radio frequency energy and, if not installed and used in accordance with the instructions, may cause harmful interference to radio communications. However, there is no guarantee that interference will not occur in a particular installation. If this equipment does cause harmful interference to radio or television reception, which can be determined by turning the equipment off and on, the user is encouraged to try to correct the interference by one or more of the following measures: radiate radio frequency energy and, if not installed and used in accordance with the instructions, may cause harmful interference to radio communications. However, there is no guarantee that interference will not occur in a particular installation.

If this equipment does cause harmful interference to radio or television reception, which can be determined by turning the equipment off and on, the user is encouraged to try to correct the interference by one or more of the following measures:

- Reorient or relocate the receiving antenna.
- Increase the separation between the equipment and receiver.

-Connect the equipment into an outlet on a circuit different from that to which the receiver is connected.

-Consult the dealer or an experienced radio/TV technician for help.

RF warning for Mobile device:

This equipment complies with FCC radiation exposure limits set forth for an uncontrolled environment. This equipment should be installed and operated with minimum distance 20cm between the radiator & your body.

FCC ID: 2AOK9-D860

ISED compliance statement

This device contains licence-exempt transmitter(s)/receiver(s) that comply with Innovation, Science and Economic Development Canada's licence-exempt RSS(s). Operation is subject to the following two conditions:

- (1) This device may not cause interference.
- (2) This device must accept any interference, including interference that may cause undesired operation of the device. L'émetteur/récepteur exempt de licence contenu dans le présent appareil est conforme aux CNR d'Innovation, Sciences et Développement économique Canada applicables aux appareils radio exempts de licence. L'exploitation est autorisée aux deux conditions suivantes :

- (1) L'appareil ne doit pas produire de brouillage;
- (2) L'appareil doit accepter tout brouillage radioélectrique subi, même si le brouillage est susceptible d'en compromettre le fonctionnement.

ISED Radiation Exposure statement

This equipment complies with IC RSS-102 radiation exposure limits set forth for an uncontrolled environment. This equipment should be installed and operated with minimum distance 20 cm between

the radiator and your body.

Cet équipement est conforme aux limites d'exposition aux radiations IC CNR-102 établies pour un environnement non contrôlé. Cet équipement doit être installé et utilisé avec une distance minimale de 20 cm entre le radiateur et votre corps.

IC: 28033-D860

CAN ICES-003(B)/NMB-003(B)

Service: [help@70mai.com](mailto:help@70mai.com)

For further information, please go to [www.70mai.com](http://www.70mai.com)

Manufacturer: 70mai Co., Ltd.

Address: Room 2220, Building 2, No. 588 Zixing Road, Minhang District, Shanghai, China