

70mai Dash Cam 4K T800 Series

User manual



Scan the QR code and email
us at help@70mai.com



View the User guide for
product functions and FAQs.

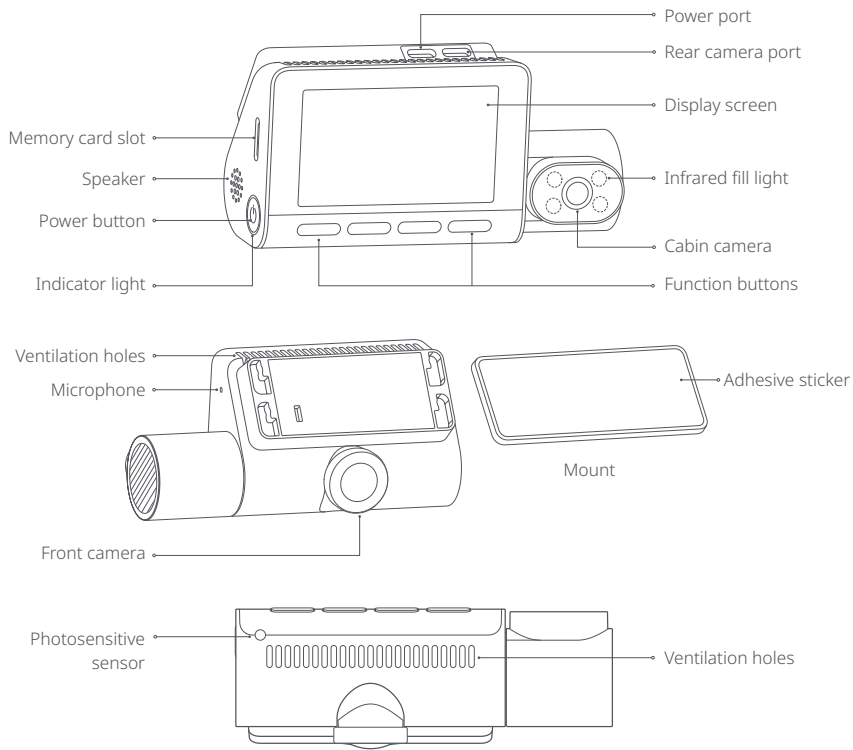
70mai

Contents

English	01
Español	10
Deutsch	18
Français	26
Italiano.....	34
Русский	42
Português	50
Polski.....	58
Magyar.....	66
Український.....	74
Čeština.....	82
Română	89
日本語	97
한국어	104
Tiếng Việt	111
ภาษาไทย	118
Bahasa Indonesia.....	125
繁體中文	132
عربي	139
Türkçe	146

Product overview

Please read this manual carefully before using the product and keep it in a safe place.



Note: Illustrations of the product, accessories, and user interface in the user manual are for reference purposes only. The actual product and functions may vary due to product enhancements.

Package contents

1. Dash Cam × 1
2. Mount × 1
3. Power cord × 1
4. Car charger × 1
5. Adhesive sticker × 1
6. Electrostatic sticker × 2
7. Wiring trim tool × 1
8. User manual × 1

If you purchase the Dash Cam Set, the rear camera package is included in addition to the above contents.

The rear camera package contains the rear camera, rear camera wire and other accessories for the rear camera. For more information, please refer to the rear camera user manual.

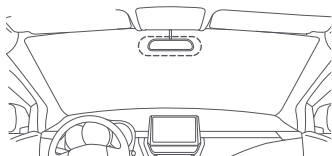
Installation

1. Installing the electrostatic sticker

Paste the electrostatic sticker on the recommended area on the front windshield. Press the sticker to remove air bubbles out.

Avoid the edge of the windshield and select the flat and smooth area for the installation.

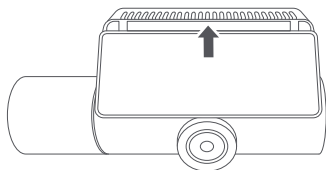
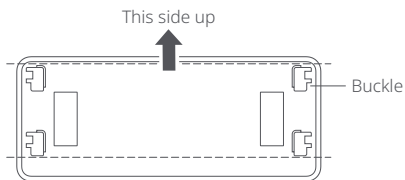
Note: Keep the windshield clean and dry without liquid residue to prevent the sticker from losing adhesion and dash cam from dropping.



2. Installing the mount

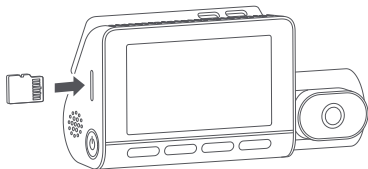
Attach the mount to the mount slot and slide up.

Pay attention to the direction of the mount. The side where the buckles are close to the edge of the mount faces upwards.



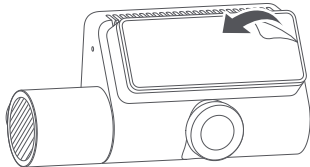
3. Installing the memory card

Insert the memory card into the slot.



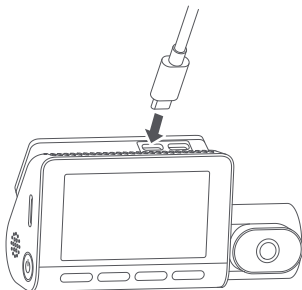
4. Mounting the dash cam

Paste the dash cam onto the electrostatic sticker.



5. Connecting the power cord

Connect the dash cam and car charger with the power cord.

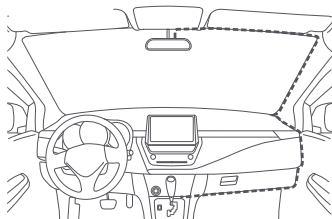


6. Routing cable

Route the power cord to the vehicle's power outlet and plug the car charger into the power outlet. Start the car engine, and the dash cam will automatically turn on.

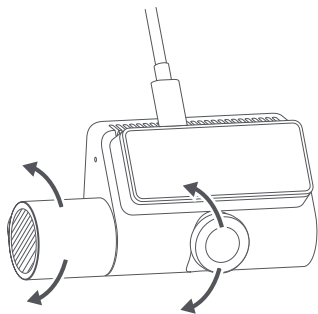
Notes:

- Use the included wiring trim tool to hide the power cord underneath the vehicle's headliner and rubber seal along the A-pillar.
- Depending on the vehicle, the power outlet may be located in a different position. The provided figure is for reference only.



7. Adjusting the camera angle

Adjust the camera angle based on the image presented on the main screen when dash cam is turned on.



Connecting with the 70mai app

This product needs to be used in conjunction with the 70mai app. Follow the steps below to connect it with the app.

1. Scan the QR code to download and install the app. Or search for "70mai" in the app store to download and install it.



Scan to download the app

2. Open the app and tap "+" in the homepage. In the Bluetooth scanning result list, tap the dash cam's name (same with the dash cam Wi-Fi name) and then confirm the authorization on the dash cam.
3. Follow the on-screen instructions to connect the dash cam Wi-Fi. When connected, the dash cam's homepage displays. You can view the live video and configure the dash cam settings.

Notes:

- Before binding, make sure that your phone is connected to the internet and Bluetooth is enabled.
- Find the dash cam Wi-Fi name in dash cam settings.
- During the binding process, please follow the instructions on the app screen to grant permissions.
- Android 5.0 & iOS 12.0 or above is required to connect to the dash cam's Wi-Fi hotspot with a mobile phone. As mobile phone operating systems continue to be updated, the minimum requirements for Android and iOS systems may also increase.

If you need more help when connecting the app, please scan the QR code below to view the tutorial video.



Scan to view the video

Voice control

Dash cam supports voice control. When the dash cam is operating, voice commands from the user will trigger the corresponding functions.

The supported languages are English, Italian, Japanese and Mandarin (when the dash cam's broadcast language is Traditional Chinese).

The voice commands are as follows:

Voice command	Function
Take photo	Dash cam will take a photo.
Record video	Dash cam will record an emergency video.
Record audio	Dash cam will record audio as well as videos.
Turn off audio	Dash cam will not record audio but only videos.
Enable hotspot	Dash cam's Wi-Fi hotspot will turn on.
Disable hotspot	Dash cam's Wi-Fi hotspot will turn off.

Note: When the dash cam is connected with the 70mai app, voice control is not supported.

Precautions

Before using this dash cam, please read all the precautions and user guide to ensure correct and safe use.

- This dash cam is a driving aid designed to record external images of the vehicle. And it does not have the function of ensuring the user's driving safety. Users must abide by local traffic rules and regulations and take driving safety as a priority consideration. Do not operate this product while driving.
- Due to differences in vehicle conditions, driving style, driving environment, and other factors, some functions may not work properly. A power failure, usage in environments outside the normal operating temperature or humidity range, a collision, or a damaged memory card may cause the dash cam to function abnormally. There is no guarantee that this dash cam will function normally under all circumstances. Videos recorded by this dash cam are for reference purposes only.
- Please install this dash cam correctly, and do not block the driver's line of sight, or block the vehicle's airbag, in order to avoid product failure or personal injury.
- If the front windshield where the dash cam is installed is covered with colored automotive film, it may affect the video recording quality or cause video distortion. If metallic film is applied to the front windshield, it may lead to a decrease in GPS signal quality for dash cam models equipped with built-in GPS modules.

- Avoid collisions or forceful jolts to the dash cam, otherwise the product may malfunction. Keep this dash cam away from any strong magnetic fields.
- Never use chemical solvent or detergent to wash the dash cam.
- Do not use this dash cam in environments with temperatures over 60°C or below -10°C.
- When the dash cam has been operating for a period of time, the temperature of the outer casing will rise, so use caution when touching it.
- Please only use this dash cam within the scope permitted by law.

Safety information

- Please use the included car charger, power cord, and other accessories in order to avoid product failure due to non-conformance. We shall not be held liable for any loss or damage caused by the use of a non-genuine car charger or power cord.
- If you use power adapter to charge the dash cam, only use the power adapters that comply with the local safety standards or certified and supplied by qualified manufacturers.
- Disposal of a battery into fire or a hot oven, or mechanically crushing or cutting of a battery, that can result in an explosion.
- Leaving a battery in an extremely high temperature surrounding environment that can result in an explosion or the leakage of flammable liquid or gas.
- A battery subjected to extremely low air

pressure that may result in an explosion or the leakage of flammable liquid or gas.

- This device is equipped with a built-in lithium metal battery that cannot be removed or replaced. Do not disassemble or modify the battery by yourself.
- Replacement of a battery with an incorrect type can defeat a safeguard (for example, in the case of some lithium battery types).
- The dash cam and its accessories may contain small parts. To avoid choking or other hazards or damages caused by the children, keep the dash cam out of the reach of children.

Memory card instructions

- A memory card (sold separately) must be installed in the dash cam before use.
- The dash cam supports standard microSD cards. Please use memory cards with capacity of **64GB ~ 512GB** and rating of **U3 (UHS-3)** or higher.
- The default file partition format of the memory card may be inconsistent with the format supported by the dash cam. When inserting the memory card for the first time, please format it in the dash cam before use. Formatting the memory card will delete all files on the card. Please back up important data to another device beforehand.
- The memory card may become damaged or deteriorated after repeated cycles of overwriting, and this may affect its ability

to save video and image files. If this occurs, immediately replace it with a new memory card.

- Please use a high-quality memory card purchased from a reputable vendor. Inferior memory cards may have issues such as actual reading/writing speeds that do not match the stated speeds, and an actual storage capacity that does not match the stated storage capacity. We shall not be held liable for lost or damaged videos caused by the use of a low-quality memory card.
- Do not insert or remove a memory card while the dash cam is turned on.

Specifications

Product: Dash Cam

Model: T800, T800-2, T800-41

Input: 5V $\overline{\text{---}}$ 2.4A

Power supply: Car cigarette lighter

Wireless connectivity: Wi-Fi IEEE 802.11a/b/g/n/ac/ax 2.4GHz & 5GHz, **Bluetooth**[®] 5.0

Wi-Fi operation frequency: 2400-2483.5MHz & 5150-5835MHz

Wi-Fi maximum output: \leq 20dBm

Bluetooth operation frequency: 2400-2483.5 MHz

Bluetooth maximum output: \leq 10dBm

Regulatory compliance information



WEEE information

All products bearing this symbol are waste electrical and electronic equipment (WEEE as in directive 2012/19/EU) which should not be mixed with unsorted household waste. Instead, you should protect human health and the environment by handing over your waste equipment to a designated collection point for the recycling of waste electrical and electronic equipment, appointed by the government or local authorities. Correct disposal and recycling will help prevent potential negative consequences to the environment and human health. Please contact the installer or local authorities for more information about the location as well as terms and conditions of such collection points.

EU declaration of conformity



The manufacturer hereby, declares that this equipment is in compliance with the applicable Directives and European Norms, and amendments. The full text of the EU declaration of conformity is available at the following internet address: <https://help.70mai.asia/1193.html>



Hereby, 70mai Co.,Ltd. declares that the radio equipment types T800, T800-2, T800-41 are in compliance with Radio Equipment Regulations 2017. The full text of the UKCA declaration of conformity is available at the following internet address: <https://help.70mai.asia/2145.html>

ISED compliance statement

This device contains licence-exempt transmitter(s)/ receiver(s) that comply with Innovation, Science and Economic Development Canada's licence-exempt RSS(s). Operation is subject to the following two conditions:

- (1) This device may not cause interference.
- (2) This device must accept any interference, including interference that may cause undesired operation of the device.

L'émetteur/récepteur exempt de licence contenu dans le présent appareil est conforme aux CNR d'Innovation, Sciences et Développement économique Canada applicables aux appareils radio exempts de licence. L'exploitation est autorisée aux deux conditions suivantes:

- (1) L'appareil ne doit pas produire de brouillage;
- (2) L'appareil doit accepter tout brouillage radioélectrique subi, même si le brouillage est susceptible d'en compromettre le fonctionnement.

ISED Radiation Exposure statement

This equipment complies with IC RSS-102 radiation exposure limits set forth for an uncontrolled environment. This equipment should be installed and operated with minimum distance 20 cm between the radiator and your body.

Cet équipement est conforme aux limites d'exposition aux radiations IC CNR-102 établies pour un environnement non contrôlé. Cet équipement doit être installé et utilisé avec une distance minimale de 20 cm entre le radiateur et votre corps.

IC: 28033-T800

CAN ICES-003 (B) / NMB-003 (B)

FCC

Changes or modifications not expressly approved by the party responsible for compliance could void the user's authority to operate the equipment.

This equipment has been tested and found to comply with the limits for a Class B digital device, pursuant to Part 15 of the FCC Rules. These limits are designed to provide reasonable protection against harmful interference in a residential installation. This equipment generates, uses and can radiate radio frequency energy and, if not installed and used in accordance with the instructions, may cause harmful interference to radio communications. However, there is no guarantee that interference will not occur in a particular installation.

If this equipment does cause harmful interference to radio or television reception, which can be determined by turning the equipment off and on, the user is encouraged to try to correct the interference by one or more of the following measures:

- Reorient or relocate the receiving antenna.
- Increase the separation between the equipment and receiver.
- Connect the equipment into an outlet on a circuit different from that to which the receiver is connected.
- Consult the dealer or an experienced radio/TV technician for help.

This device complies with Part 15 of the FCC Rules. Operation is subject to the following two conditions: (1) this device may not cause harmful interference, and (2) this device must accept any interference received, including interference that may cause undesired operation.

This equipment complies with FCC radiation exposure limits set forth for an uncontrolled environment. This equipment should be installed and operated with a minimum distance of 20 cm between the radiator

& your body. This transmitter must not be co-located or operating in conjunction with any other antenna or transmitter.

FCC ID: 2AOK9-T800



Service: help@70mai.com

For further information, please go to www.70mai.com

Manufacturer: 70mai Co., Ltd.

Address: Room 2220, Building 2, No. 588 Zixing Road, Minhang District, Shanghai, China