

70mai Rearview S410 Dash Cam Set User Manual



Scan the QR code and email us at help@70mai.com



View the user guide for product functions and FAQs.

70mai

Contents

This user manual has also been translated into other languages. Scan the QR code to read the user manual with all supported languages.



English	01
Español	10
Deutsch	19
Français	29
Italiano	39
Русский	49
Polski	59
Română	68
日本語	77
Tiếng Việt	86
ภาษาไทย	95
Bahasa Indonesia	104
繁體中文	113
Український	123
Türkçe	132

Memory card instructions

- A memory card (sold separately) must be installed in the dash cam before use.
- The dash cam supports standard MicroSD cards. Please use memory cards with capacity of 32GB–256GB and rating of class 10, U1 or higher.
- The default file partition format of the memory card may be inconsistent with the format supported by the dash cam. When inserting the memory card for the first time, please format it in the dash cam before use. Formatting the memory card will delete all files on the card. Please back up important data to another device beforehand.
- The memory card may become damaged or deteriorated after repeated cycles of overwriting, and this may affect its ability to save video and image files. If this occurs, immediately replace it with a new memory card.
- Please use a high-quality memory card purchased from a reputable vendor. Inferior memory cards may have issues such as the actual reading/writing speeds do not match the stated speeds, and the actual storage capacity does not match the stated storage capacity. We shall not be held liable for lost or damaged videos caused by the use of a low-quality memory card.
- Do not insert or remove a memory card while the dash cam is turned on.

Battery Safety

- This device contains a coin battery (lithium metal battery). DO NOT disassemble, smash, or subject the product to excessive heat, as this could result in explosion.
- The battery is non removable. DO NOT attempt to replace or repair it. If replacement is required,

ONLY have it replaced by a professional with the same model.

- Do not use the product in extreme weathers. Temperatures that are too low or too high may cause the battery to explode or give off flammable gas or liquid.
- Dispose of the cam following all local and national regulations on electronic waste disposal.
- If the battery becomes deformed, swollen, or starts leaking during use or storage, stop using the dash cam immediately in order to avoid safety issues, and contact after-sales service.

Precautions

- Before using this dash cam, please read all the precautions and the online guide to ensure correct and safe use.
- This dash cam is intended to assist drivers with the purpose of recording the environment outside the vehicle. The dash cam does not guarantee the user's driving safety. We shall not be held liable for any accident, damage, or loss of information caused by operating the dash cam while driving.
- Due to differences in vehicle conditions, driving style, driving environment, etc., some functions may not work properly. A power failure, usage in environments outside the normal operating temperature or humidity range, a collision, or a damaged memory card may cause the dash cam to function abnormally. There is no guarantee that this dash cam will function normally under all circumstances. Videos recorded by this dash cam are for reference only.
- Please install this dash cam correctly, and do not block the driver's line of sight, nor block the vehicle's airbag, in order to avoid product failure or personal injury.
- Please use the included car charger, power cord, and other accessories in order to avoid product failure due to non-conformance. We shall not be held liable for any loss or damage caused by the

use of a non-genuine car charger or power cord.

- Please keep this dash cam away from any strong magnetic fields, as they may cause damage to the dash cam.
- Do not use this dash cam in environments with temperatures over 60°C or below -10°C.
- Please only use this dash cam within the scope permitted by law.
- This device is not a toy. Some of its small components may pose risk of suffocation to children. Keep it out of the reach of children.

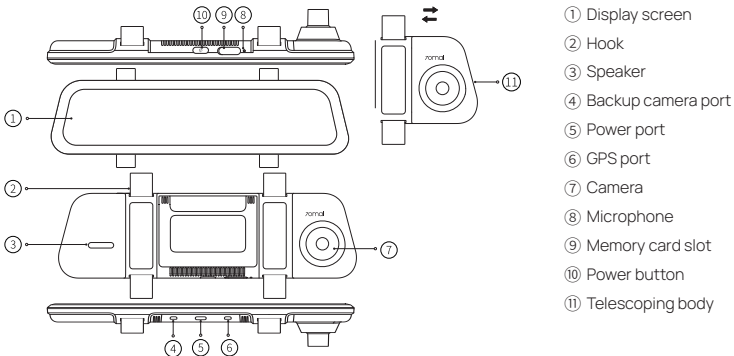
Package contents

- | | |
|---------------------|-------------------------------|
| 1. Dash Cam × 1 | 5. Wiring trim tool × 1 |
| 2. Power cord × 1 | 6. User manual × 1 |
| 3. Car charger × 1 | 7. Backup camera package* × 1 |
| 4. Fixing strap × 2 | |

* This package contains the backup camera and its accessories. Scan the QR code in the Accessory section to access the user guide of the backup camera.

Product overview

Please read this manual carefully before using the product and keep it in a safe place.

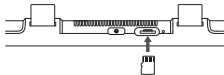


Note: Illustrations of the product, accessories, and user interface in the user manual are for reference purposes only. The actual product and functions may vary due to product enhancements.

Installation

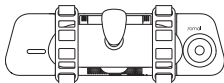
1. Installing the memory card

Insert the memory card into the card slot with its contacts facing up, as illustrated.



2. Installing the dash cam

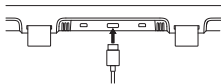
Position the dash cam's display screen facing the interior of the car and the back of the device snug against the car's original rearview mirror. Adjust the position of the dash cam to ensure that the camera is not obstructed. Secure the dash cam to the rearview mirror using the provided straps.



Note: If the original rearview mirror is too long, adjust the position of the camera by using the telescoping body.

3. Connecting power cord

Connect the power cord to the power port.



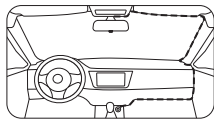
4. Routing cable

Route the power cord to the vehicle's power outlet and connect to power.

Start the car engine, and the dash cam will automatically turn on.

Notes:

- Use the included wiring trim tool to hide the power cord underneath the headliner and rubber seal along the A-pillar.
- Depending on the vehicle, the power outlet may be located in a different position. The provided figure is for reference only.



5. Adjusting the camera angle

When the dash cam turns on, adjust the camera angle based on the image presented in the screen.



Connecting with the 70mai app

This product can be used in conjunction with the 70mai app. Follow the steps below to connect it with the app.

1. Scan the QR code to download and install the app. Or search for "70mai" in the app store to download and install it.
2. Open the app, tap "+" in the device page, find the corresponding dash cam type and tap the dash cam image.
3. Turn on the dash cam and enable the Wi-Fi hotspot. Follow the on-screen instructions to connect the dash cam's Wi-Fi hotspot in your phone's settings.
4. Once successfully connected, go back to the 70mai app. In the device page, connect the dash cam and enter the dash cam's homepage. You can view the live video and configure the dash cam settings.



Scan to download the app

Note: Android 5.0 & iOS 12.0 or above is required to connect to the dash cam's Wi-Fi hotspot with a mobile phone. If you need more help when connecting the app, please scan the QR code to view the tutorial video.



Scan to view the video

Accessory

Some functions of this product require the use of dedicated accessories. Scan the QR code to check compatible models and user guides for the accessories.



1. GPS module(Model: GPS03, sold separately): Used to enable satellite positioning, record driving route data, and other functions.
2. Backup camera(Model: Midrive RC15, included in the package): Used for rear video recording and assisting with reversing.

To ensure device compatibility and optimal user experience, it is recommended to use genuine 70mai brand accessories.

Specifications

Product: Dash Cam

Model: S410

Resolution of the front camera: 2560×1440

Resolution of the backup camera: 1920×1080

Input: 5V $\overline{=}$ 2.4A

Wireless connectivity: Wi-Fi IEEE 802.11 b/g/n 2.4GHz

Wi-Fi operation frequency: 2400–2483.5MHz

Wi-Fi maximum output: \leq 20dBm

Regulatory compliance information

WEEE information



All products bearing this symbol are waste electrical and electronic equipment (WEEE as in directive 2012/19/EU) which should not be mixed with unsorted household waste. Instead, you should protect human health and the environment by handing over your waste equipment to a designated collection point for the recycling of waste electrical and electronic equipment, appointed by the government or local authorities. Correct disposal and recycling will help prevent potential negative consequences to the environment and human health. Please contact the installer or local authorities for more information about the location as well as terms and conditions of such collection points.

EU declaration of conformity



The manufacturer hereby, declares that this equipment is in compliance with the applicable Directives and European Norms, and amendments. The full text of the EU declaration of conformity is available at the following internet address: <https://help.70mai.asia/1193.html>

Service: help@70mai.com

For further information, please go to www.70mai.com

Manufacturer: 70mai Co., Ltd.

Address: Room 2220, Building 2, No. 588 Zixing Road, Minhang District, Shanghai, China